

TEKNIK
LIGHTING SOLUTIONS

[ORION]

LED HIGHBAY



5
YEAR
PRODUCT
WARRANTY

**IP
65**
INGRESS
PROTECTION

**IK
08**
IMPACT
PROTECTION

Description

The [ORION] LED Highbay is an industry first, providing a premium-grade lighting solution at an efficiency of up to 160lm/W. With its custom lensing for glare reduction and improved light throw, its dust-resistant unique heat sink, and a 5 year warranty, the [ORION] is a true best-in-class luminaire.

Key Features

- High efficiency up to 160lm/W
- Unique heat sink design to reduce dust build up
- An industry first by providing features of a premium highbay at a cost-effective price
- Custom lensing solution available for improved light throw and reduced glare



Superior Design

The [ORION] is standard with a low profile driver for versatile installation options.

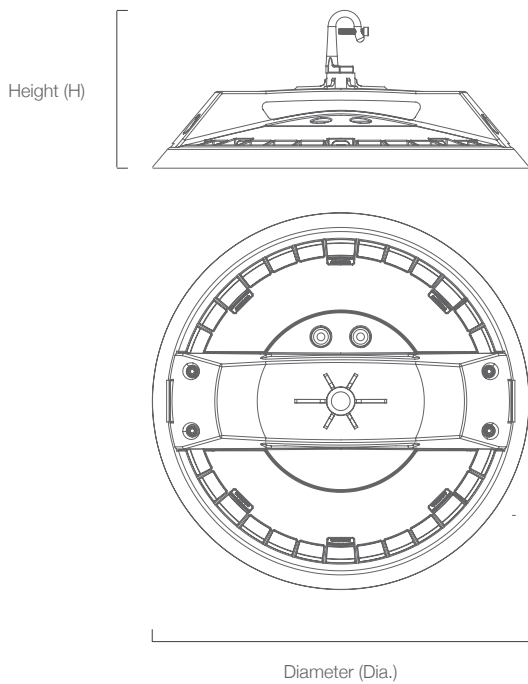




Technical Specifications

| | | | |
|--------------|--|-----------------------|----------------------------|
| Rated Life | ≥50,000 hours | Operating Temperature | -40°C to +50°C |
| Body | Aluminium | Input Voltage | 90-305 VAC ~ 50/60Hz |
| Installation | Chain mounted / Surface mount / Hook mount | IP Rating | IP65 |
| Beam Angle | 90° / 120° | IK Rating | IK08 |
| Power Factor | >0.95 | Net Weight | 2.88kg (105W) 4.1kg (200W) |
| CRI | >73 | Connection | Flex and plug (1.2m) |

Dimensional Drawing



| Wattage | Dia. | H |
|---------|------|-----|
| 105W | 292 | 157 |
| 200W | 382 | 160 |

Unit = mm

Product Data

| Part Number | Power | Lumen Output | CCT |
|-------------|-------|--------------|-------|
| HO-105Dx | 105W | 16,800lm | 5000K |
| HO-200Dx | 200W | 30,000lm | 5000K |

Model 'x' indicates beam angle - can be 90 or 120